

Diaphragm Operated Two-way Valves Series 418 JT Ductile Body

Bulletin SSIN047 Issue/Rev. 0.1 (1/19)

The Series 418 JT Valves are ideal for high pressure drop gas flow applications to prevent vibration and extend valve life.

Features

- **Ductile Body** – Meets all application demands.
- **Hammer Union Construction** – Reduced downtime for repair.
- **Wide Range of Trim Sizes** – Meets all operating conditions.
- **Globe Body (RNCE available)**



Specifications

Body Material

Series 418 Ductile A-395

End Connections

1" and 2" FNPT

Body Cover

Steel, Union

Diaphragm Operator

- Steel, 65 sq. in.
- Nylon Reinforced Nitrile Diaphragm,
- Maximum Recommended Operating Pressure 70 psi
- Maximum Containment Pressure 100 psi

Packing

Reinforced Nitrile

Maximum Working Pressure

See ordering information

Temperature Limits

-20°F to 250°F

Stem Material

Hardened Stainless Steel

Plug and Seat

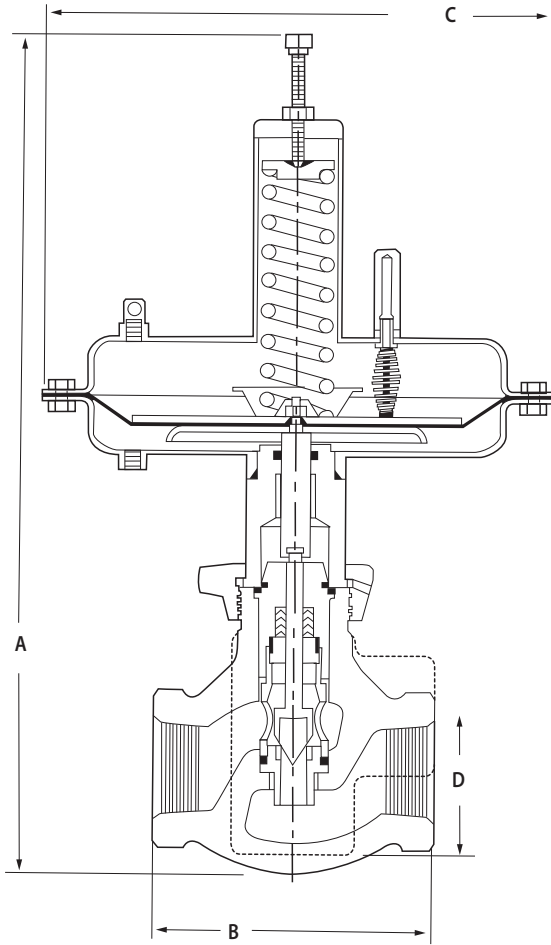
Hardened Stainless Steel Hexagonal Plug

Ordering Information

Body Style Material	Size	Model Number	Max W.P.	Trim Size	Full Open		Part Number Taper 416 S.S.	Weight
					Cv	Cg		
Series 418JT Threaded Globe A-395 Ductile	1"	DXSGJT-160-418	6000 psi	3/8"	4.0	116	P522696	45
				3/4"***	14.1	409	P22232	
	2"	DSG-240-418	4000 psi	1"	20.5	549	P522148	65

Notes: ** 3/4" Trim in 1" Valve is limited to 3000 psi Max. Diff. Pressure.

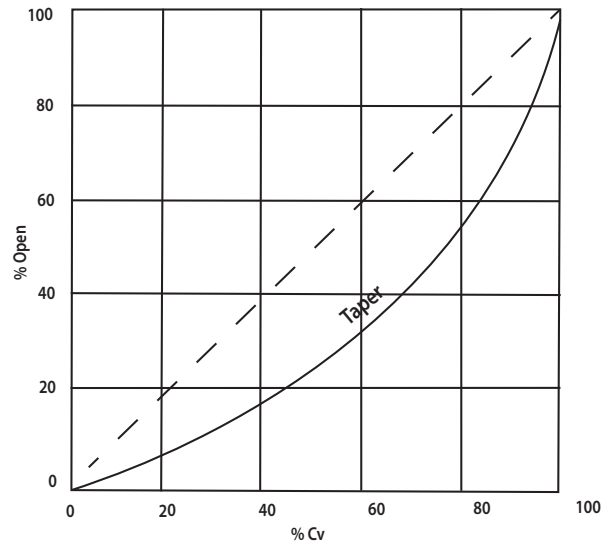
Dimensions



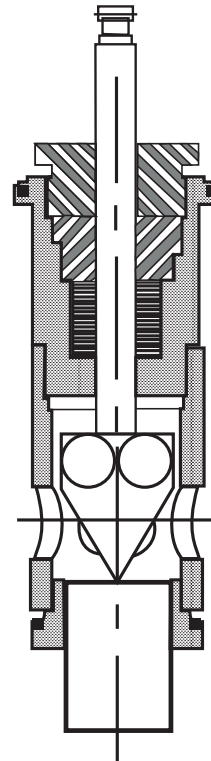
Dimensions			
Model No.	A	B	C
DSG-160-420	21.6" (548)	7" (177)	12.5" (318)
DSG-260-420	21.6" (548)	7.4" (188)	14.8" (375)

Dimensions – Inches to the nearest tenth (millimeters to the nearest whole mm), each independently dimensioned from engineering drawings.

Trim Characteristics



Trim Styles



Notes:

1. Standard topworks is direct action (normally closed) with 65 sq. in. effective area.
2. Cv and Cg values are for fully open inner valve.
3. Part numbers applicable only when valve desired is exactly as described above.
4. To order specify Model Number, Part Number, Trim Description.
5. See attached side for parts list.

The specifications contained herein are subject to change without notice and any user of said specifications should verify from the manufacturer that the specifications are currently in effect. Otherwise, the manufacturer assumes no responsibility for the use of specifications which may have been changed and are no longer in effect.