

1" - 2" GTB Cartridge Style Gas Style Turbine Meter

Bulletin SSIN044 Issue/Rev. 0.0 (11/16)

The INVALCO 1" to 2" GTB Gas Style Turbine Meter is a unique design that is composed of a single removable support that captures the rotor and bearings from one side. The second support is used for flow conditioning only and does not need to be removed. This design can accommodate occasional slugs of reasonable amounts of condensate or debris. The rotor is Cast CD4MCu and rides on two sealed and pre-lubricated micro bearings. These meters have a pressure rating from vacuum to 5,000 psi, and cover a range from 1.1 ACFM through 90 ACFM. Replacement internals are fully-calibrated and ready for installation with no special tools required.

Features & Benefits

- » Two Piece Internals
- » Stainless Steel Construction for Corrosion-free Service
- » 20 - 1 Turndown

Safety Certifications

- » CRN OD11071.2 (1" MNPT)

Options

- » Extended Temperature Range from -150°F to 450°F (130°C to 218°C)
- » Other temperature ranges available (Consult factory for details)

Capacity Table					
Linear Gas Flow Range				Nominal K-Factor	
Size	ACFM	ACFH	AM H	P/ACF	P/M
1"	1.1 - 22	66 - 1320	1.9 - 37.4	6200	221429
1 1/2"	3.0 - 60	180 - 3600	5.0 - 102.0	2500	89286
2"	4.5 - 90	270 - 5400	7.6 - 152.9	1500	53571

NOTES: 1. Based on specific weight of 1lb/ft³. If less - rangeability reduce contact factory for assistance.
 2. Maximum non-shock service pressure at 100°F.
 3. GE 883 or equivalent 6% type.
 * Other pressures available - Consult Factory



We put you first.
And keep you ahead.



GTB Gas Style Turbine Meter

General Specifications

Linearity¹	±1.0%
Repeatability¹	±0.25%
Frequency Output	100 to 1,100 Hz.
Voltage Output	Approximately 100 mV @ 100 Hz to 1.5 V (RMS) @ 1,000 Hz
Maximum Overrange	125% of flow rate for intermittent periods.
Pressure Drop	0.5 psi at 100% of flow range.
Pressure Rating² - PSI (kPa)*	1" - 2" MNPT 2,000 (34,474)
	ANSI Raised Face Flanges:
	Class 150 275 (1,896)
	Class 300 720 (4,964)
	Class 600 1,440 (9,929)
Installation	Vertical or Horizontal
Materials of Construction	<ul style="list-style-type: none"> - Body: 316 L Stainless Steel - Flanges: 316 Stainless Steel - Rotor: CD4MCu - Bearings: 410/430 Stainless Steel



We put you first.
And keep you ahead.

Dimensions									
						ANSI Flanged - Class			
	Bore	NPT		Wafer		150	300	600	
	A	B	C	B	C	B	B	B	C
1"	0.9" (22)	3.6" (93)	1.9" (48)	CF	CF	4.1" (105)	4.8" (121)	5.3" (183)	1.9" (48)
1 1/2"	1.3" (33)	4.7" (117)	2.1" (53)	CF	CF	5.3" (133)	5.9" (149)	6.5" (165)	2.1" (53)
2"	1.8" (45)	6.0" (154)	2.3" (61)	CF	CF	6.8" (171)	7.4" (187)	8.1" (207)	2.3" (61)

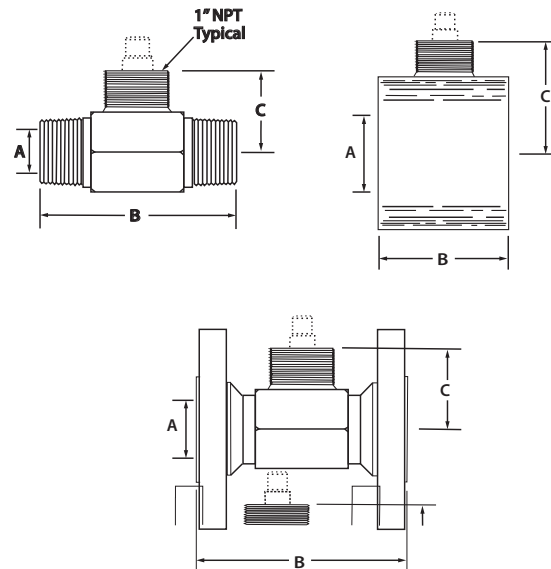
NOTES: Inches (mm) CF - Consult Factory

Ordering Information

GTB	Tungsten Carbide V-Cup Bearing Gas Turbine Meters		
	CODE	BODY STYLE	
	3	Male NPT	
	4	Flanged - ANSI Raised Face	
	4R	Flanged - ANSI RTJ	
	6	Grooved (Victaulic)	
	CODE	METER SIZE	
	1	1"	
	15	1.5"	
	2	2"	
	CODE	SPECIFIC CONNECTION	
	00	1/2" & 1.5" NPT or Wafer Connections	
	000	1" & 2" NPT or Wafer Connections	
	02	150# Flanges	
	07	300# Flanges	
	14	600# Flanges	
Example: GTB 3 2 000 GT3/2000			
Choose one code selection from each option group to build model number.			

- NOTES:
1. Order pickup coil, cable and electronics separately.
 2. Use low drag (sine wave output) or RF (square wave output) pick-up for GTB Series Cartridge Style Meters

Dimensions



Dimensions -- Inches to the nearest tenth (millimeters to the nearest whole mm), each independently dimensioned from engineering drawings.

SSIN044 replaces former publication number SSIT090.

www.fmctechnologies.com/measurementsolutions

© 2016 FMC Technologies. All rights reserved. SSIN044 Issue/Rev. 0.0 (11/16)

The specifications contained herein are subject to change without notice and any user of said specifications should verify from the manufacturer that the specifications are currently in effect. Otherwise, the manufacturer assumes no responsibility for the use of specifications which may have been changed and are no longer in effect.

USA Operation
1602 Wagner Avenue
Erie, Pennsylvania 16510 USA
P: +1 814.898.5000

FMC Technologies
Measurement Solutions, Inc.
500 North Sam Houston Pkwy West,
Suite 100
Houston, TX 77067 USA
P: +1 281.260.2190