

# Meter Mounted Rate Totalizer Series 4200

Bulletin SSIN036 Issue/Rev. 0.1 (11/18)

The **INVALCO Model 4200** is a meter-mount or wall-mounted, programmable, battery operated, intrinsically-safe, rate/totalizer suitable for use in NEMA 4X weatherproof areas. As an option, the Model 4200 can be loop powered and supply a 4-20 mA output, or be powered from a 8-35 Vdc supply.



## Features

- Intrinsically safe to Class I, Div. 1, Grp A, B, C & D CUL/UL
- Displays rate, and accumulated total
- Battery, loop, or DC powered
- Weatherproof and corrosion resistant
- Wall, panel, or flowmeter mounting
- Fully programmable
- 4-20 mA output option
- Password protection
- K-Factor linearization

## Operations

The Model 4200 Rate/Totalizer is designed to accept frequency or pulse inputs from a wide range of flowmeters and to display flowrate and a resettable total directly in engineering units. Two different versions of the instrument are available: Battery powered version with scaled pulse output. Loop powered version with 4-20mA output. The Model 4200 is fully programmable with K-Factors, linearization of multiple K-factors, decimal point positions, and timebase being programmed via the front panel switches. The instrument is housed in a durable weatherproof polycarbonate enclosure that can be mounted directly on a flowmeter, panel-mounted or wall mounted using a pivoting bracket.

## General Specifications

### Display

Continuously powered LCD.

### Accumulated Total

Six digits, 0.5" (12.7 mm) high, resettable from the front panel. Five digit rollover count screen for totals of 1,000,000 or more.

### Rate

Six digits, 0.5" (12.7 mm) high.

### K-Factor

Programmable, pulses per unit of measure, 0.001 to 999,999.

### Timebase

Rate displayed in units per second, minute, hour or day.

### Frequency Range

0.0 Hz to 4250 Hz

### Signal Type

Sinewave (20 mV P/P min), pulse reed switch, others

## Physical Specifications

### Operating Temperature

-40°F to 158°F (-40°C to 70°C).

### Enclosure Dimensions

7.5" (190mm) high x 8.0" (203mm) wide x 2.9" (73mm) deep.

### Protection

Weatherproof and Corrosion Resistant

### Cable Entry

By cable glands.

### Materials

Luran® S

## Battery-Powered Version

### Battery Type

One "D" size 3.6V lithium battery pack (intrinsically safe replacement).

### Battery Life

Five years is typical without utilizing the scaled pulse output.

## Loop Powered 4-20 mA Output Version\*

### Scale

The 4mA and 20mA points are programmable.

### Resolution and Linearity

0.05% of span.

### Accuracy

0.01% of total +/- 1 count

### Response

1.0 seconds

### Connection

2 wire.

### Voltage Across Output

35V dc maximum.

### DC Power Input

8-35V @ 20mA minimum.

### Memory Backup

3.6 volt Lithium Battery pack.

### Type of approval

Intrinsically safe to Class 1, Div. 1, Grp A, B, C & D CUL/UL Pending (with approved CUL/UL barrier, consult factory for provisions)

### Maximum Ambient Temperature

70°C.

Note: \*Non UL Approved.

## Model Number Designation

### Field Mounted Base Unit

4200 - x0	Battery (Lithium) Powered Version - Pulse Output
4200 - x1	Loop Powered Version w/4-20mA Rate Output

### Mounting Options

1x	Standard Weatherproof Wall Mount/Panel Mount
3x	Standard Weatherproof Swivel Meter Mount Stem 1" FNPT

## DC Powered Scale Pulse Output Version

### Pulse Output

Scaled pulse output, Pulse width depends on output frequency 100mSec @ 5 Hz max.

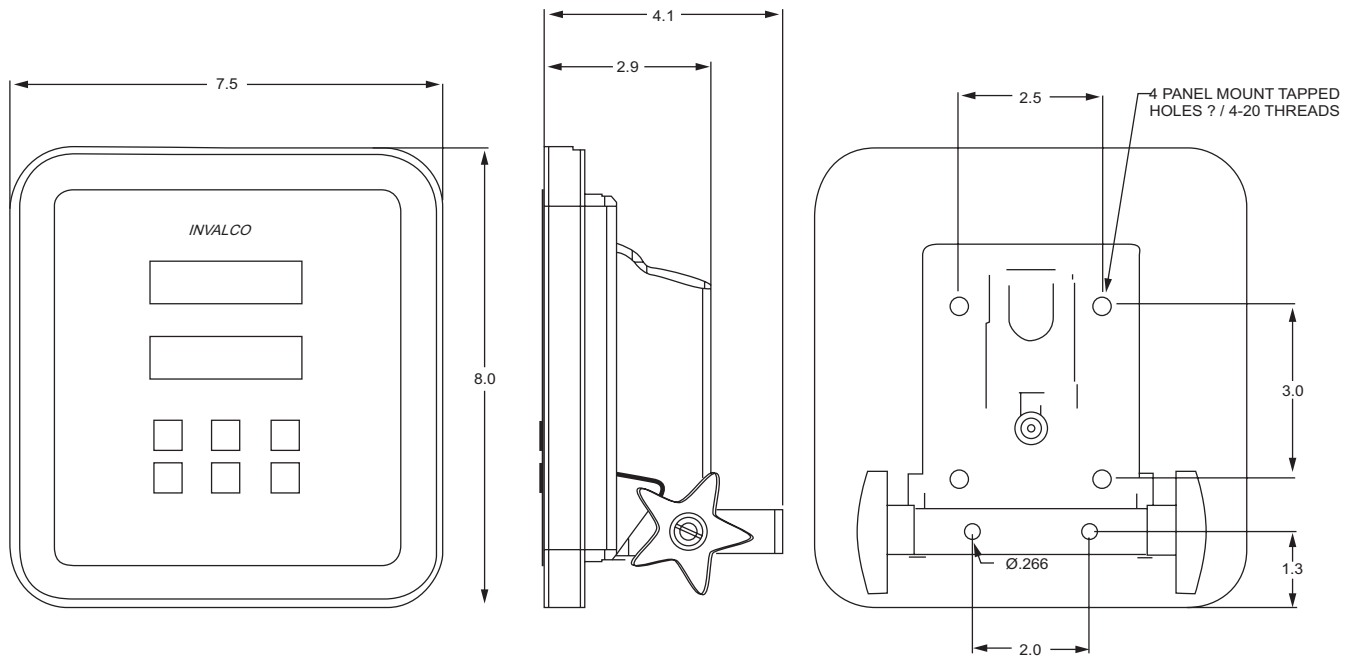
### Voltage Drop

8V maximum.

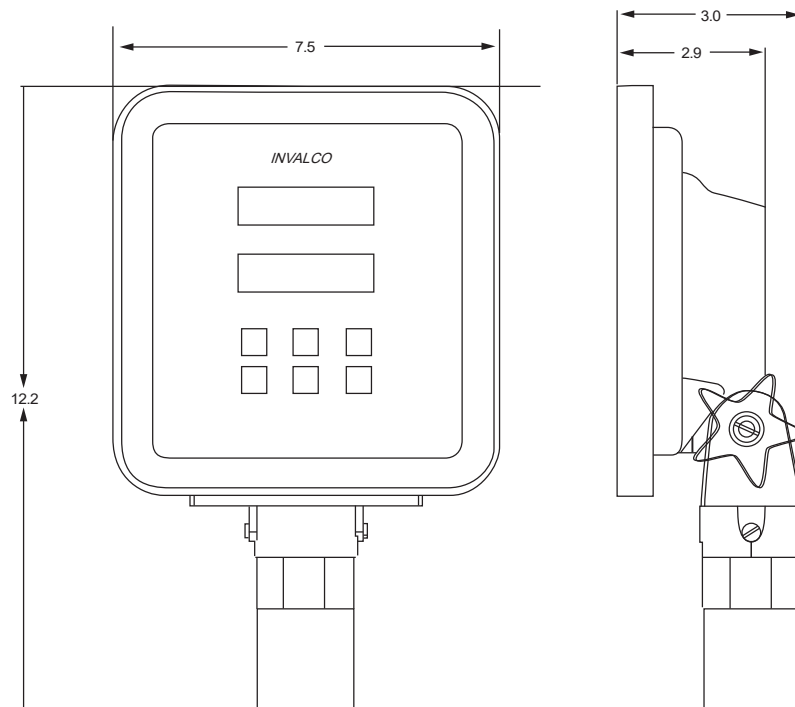
### Memory Backup

3.6 volt lithium battery pack.

## Dimensions



## Direct Mount



**Dimensions** – Inches to the nearest tenth (millimeters to the nearest whole mm), each independently dimensioned from engineering drawings.

The specifications contained herein are subject to change without notice and any user of said specifications should verify from the manufacturer that the specifications are currently in effect. Otherwise, the manufacturer assumes no responsibility for the use of specifications which may have been changed and are no longer in effect.

**TechnipFMC.com**

© TechnipFMC 2018 SSIN036 Issue/Rev. 0.1 (11/18)

TechnipFMC  
FMC Technologies  
Measurement Solutions, Inc.  
13460 Lockwood Road  
Building S01  
Houston, Texas 77044 USA  
P:+1 281.591.4000

USA Operation  
1602 Wagner Avenue  
Erie, Pennsylvania 16510 USA  
P:+1 814.898.5000

Germany Operation  
Smith Meter GmbH  
Regentstrasse 1  
25474 Ellerbek, Germany  
P:+49 4101.304.0