



22262 Cuttler Road • New Caney, TX 77357 • *ph* 281-354-3699 • *fx* 281-354-4475
www.PathwayControl.com

D175 Series

Economical, Two Way, High Pressure, No Freeze Valve

Application:

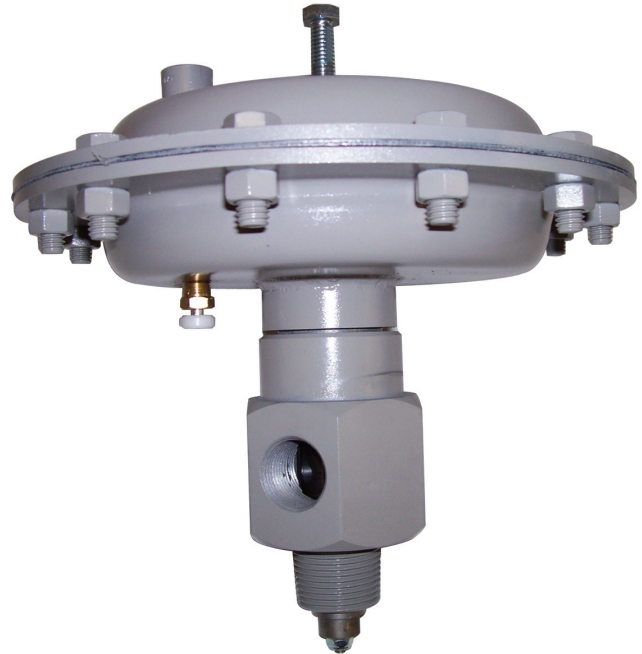
The D175 provides an economical high pressure, snap acting no freeze valve with big valve features. The valve comes standard with hardened 440C stainless steel plug and seat. In addition, the valve and valve trim can be repaired or replaced without having to remove the valve body from the vessel or the piping. The valve trim is positioned inside the vessel to benefit from the heat of the process, thereby reducing the possibility of freezing. The D175 No Freeze Valve is used on oil and gas separators, gas scrubbers, or any type of liquid accumulator equipment.

Operation:

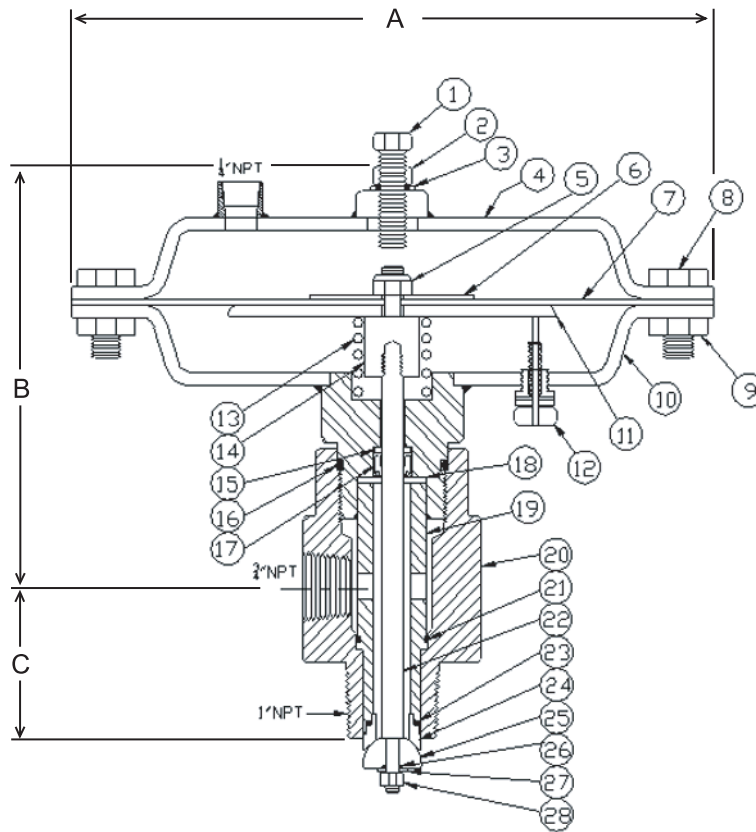
The spring in the topworks exerts a force on the bottom of the diaphragm pushing the plug into the seat. To open the valve, supply pressure is applied to the top side of the diaphragm. This pressure overcomes the spring force and the valve opens allowing flow through the valve. When supply pressure is removed, the spring closes the valve.

Features:

- Lower cost and longer field life.
- No-freeze design.
- Fail closed for safety.
- Rebuild and replace trim without removing body from piping system.
- Quality plug/seat material selections
- 2160 psig maop and shut off capability
- Affordable repair kits available



D175 Series
Economical, Two Way, High Pressure, No Freeze Valve



MODER D175-111-111 SHOWN

Dimensions for Standard Models

- A.....9"
- B.....5 3/4"
- C.....2 1/8"

D175 Series
Economical, Two Way, High Pressure, No Freeze Valve

Item	Part #	Description	Material	Qty
1.....	13288	Adjusting Screw	Plated Steel	1
2.....	10177	Jam Nut	Plated Steel	1
3.....	13289	Seal Washer	Plated Steel	1
4.....	31679	Upper Diaphragm Housing	Carbon Steel	1
5.....	10172	Lock Nut	Plated	1
6.....	25377	Upper Diaphragm Plate	Carbon Steel	1
7.....	10100	Diaphragm	Nylon Reinforced Nitrile	1
8.....	10206	Cap Screw	Plated Steel	12
9.....	10175	Hex Nut	Plated Steel	12
10.....	31677	Lower Diaphragm Housing	Carbon Steel	1
11.....	20622	Lower Diaphragm Plate	Carbon Steel	1
12.....	25396	Vent/Position Indicator	Brass/SS	1
13.....	13287	Spring	Music Wire	1
14.....	25372	Adaptor/Stop	303 SS	1
15.....	25373	Packing follower	Brass	1
16.....	10473	Oring, Packing Block	Nitrile	1
17.....	13286	Packing	Molythane	1
18.....	25374	Packing Retainer	Carbon Steel	1
19.....	25368	Cage	Carbon Steel	1
20.....	31676	Body	Carbon Steel	1
21.....	11093	Oring, Cage	Nitrile	1
22.....	25371	Stem	303 SS	1
23.....	10116	Oring, Seat	Nitrile	1
24.....	25369	Seat *	440C SS	1
25.....	25370	Plug *	440C SS	1
26.....	10105	Oring, Plug	Nitrile	1
27.....	13284	Washer	Plated	1
28.....	13285	Lock Nut	18-8 SS	1
.....	10016	Name Plate (<i>not shown</i>)	18-8 SS	1
.....	10324	Drive Screw (<i>not shown</i>)	18-8 SS	2

*Sold together as a set

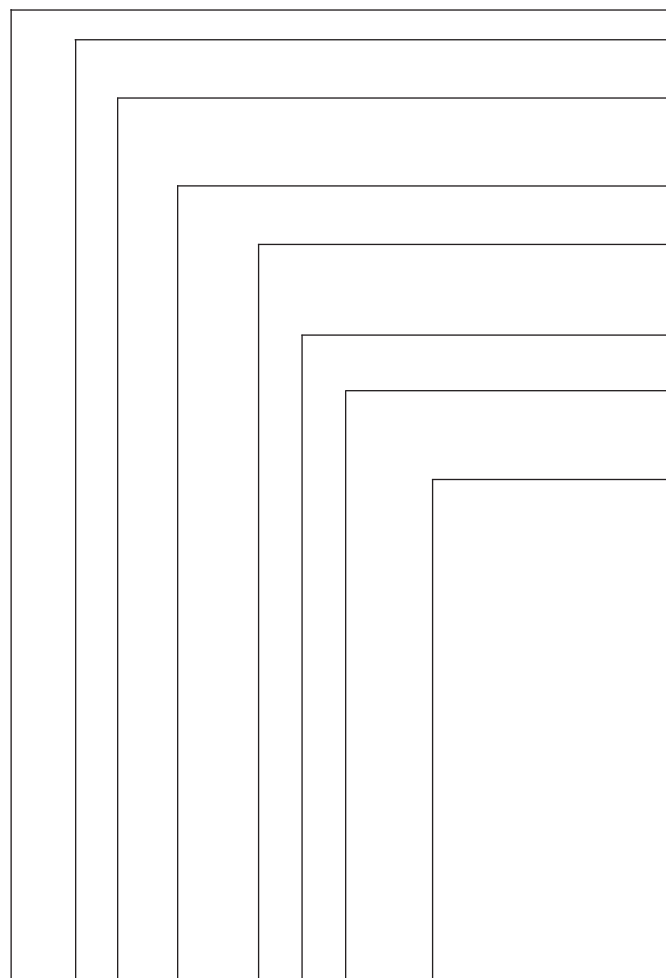
D175 Series

Economical, Two Way, High Pressure, No Freeze Valve

Specifications:

Type:	D175		
Size:	1" MNPT Inlet & 3/4" FNPT Outlet		
Working Pressure:	2160 psig		
Temperature:	-20°F to +180°F		
Topworks:	Pressed steel with nylon reinforced nitrile diaphragm. 60 psig maximum supply pressure.		
C _v Factor - Orifice:	4.2	1/2" (3/8 equiv.)	
Trim:	440 C Stainless Steel Standard		
Material:			
Body:	Steel or 316 Stainless Steel		
Stem:	Stainless Steel		
Packing:	Poly Pak		

Ordering Chart:



- D175 Series:** Two-way, no-freeze valve
- Body Type:**
 - 2 - No freeze valve
- Connection:**
 - 4 - 1" NPT Inlet & 3/4" FNPT Outlet, Carbon Steel Body
- Topworks:**
 - 2 - 23 sq. in. pressed steel
- Trim Type:**
 - 1 - Snap acting (440C stainless steel)
 - 5 - Options (specify your requirements)
- Trim Size:**
 - 2 - 1/2" (3/8 equiv.)
- Other:**
 - 2 - Visual indicator (std)
 - 5 - Options (specify your requirements)
- Option Number:**
 - () - Pathway will assign an option number based on specified requirements.

Maximum Differential Pressure

Supply to Actuator (psig)	Max. Diff. Pressure (psig)
15	1000
20	1400
30	2160

D175 ()
Example: D175-242-122